

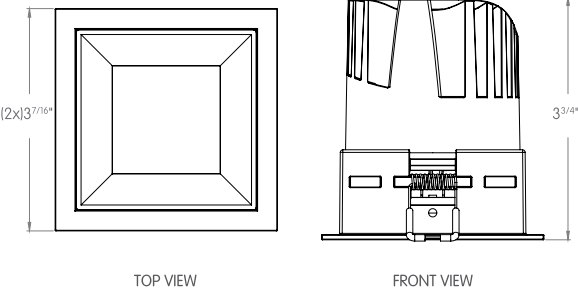
Spec-grade performance LED downlights. Optimal for hospitality, commercial, high-end residential and corporate projects.

The Chameleon S3 downlights offer a high output, precise optics, a wide range of mounting options, reflector finishes, and optical accessories.

- Up to 1,000lm delivered output
- Trim, trimless and millwork mounting options
- High CRI, up to +97 CRI, available upon request
- Dim-to-Warm capability 3000K to 1800K
- Tunable White capability 2700K to 5000K
- Wide Range of optical options
- 5 years limited warranty
- Wide range of trims and reflectors finishes

### HOUSING SPECS

Code example: **C3-L10R9**



Series	Output	Voltage	Control	Housing	Emergency
<b>C3</b>	L <sup>1</sup> 9W (625lm)	1 120V	0 Non-Dim	R Remodel	N No
	M <sup>1</sup> 11W (750lm)	U <sup>5</sup> Universal 120V to 277V	1 0-10 to 1%	N Non-IC	9 90 mins
	H <sup>1</sup> 13W (880lm)		2 0-10 fade-off	I <sup>6</sup> IC	
	D <sup>2</sup> 8W (565lm)		D Dali	A <sup>6</sup> Airtight	
	W <sup>2</sup> 12W (800lm)		P Phase ELV & Triac	O No Housing	
	U <sup>3</sup> 8W (700lm)		L Lutron		
	A <sup>3</sup> 12W (1000lm)		X DMX		
	C <sup>4</sup> 8W (150lm)				

### MODULES SPECS

Code example: **C3-S0-FW-WW-S927-0**

Mounting	Trim Color	Ref. Color	IP Rating	Optics Type	LED CRI	LED CCT	Accessories (Primary)	Accessories (Secondary)	
<b>C3</b>	S0 Square Trimless	F W White	W Flat White	D Dry	S 12°	9 90	27 2700K	0 No Accessories	N No Accessories
	S1 Square Trim	B Black	B Flat Black	W Wet	M 24°	H Thrive	30 3000K	C Clear Lens	T Clear Lens
	S2 Square Trim with Constant Force Spring	S Grey	N Black Nickel		F 36°		35 3500K	D <sup>8</sup> Diffuse lens	L Diffuse lens
	S3 Square Millwork	X Custom	C Specular Chrome				40 4000K	E <sup>9</sup> Elliptical Lens	F Solite Lens
			D Diffuse Chrome				WD 3000K - 1800K	H Honeycomb Lens	
			G Bright Gold				TW <sup>7</sup> 2700K - 5000K	S Solite Lens	
			E Diffuse Gold				CC RGBW	M Mixing	

Notes:

- <sup>1</sup> Denotes output at 3000K, unless otherwise noted.
- <sup>2</sup> Denotes output specific to Dim-to-Warm at 3000K.
- <sup>3</sup> Denotes output specific to Tunable White at full on.
- <sup>4</sup> Denotes output at White, 3000K.
- <sup>5</sup> Not applicable for ELV dimming.
- <sup>6</sup> Chicago Plenum rated.
- <sup>7</sup> Tunable White available in 0-10V, DMX and DALI.
- <sup>8</sup> Diffuse lenses available in different angles.
- <sup>9</sup> Elliptical lenses available in different angles.

Consult factory for lead-times.  
Bold Lighting reserves the right to make technical changes without notice.

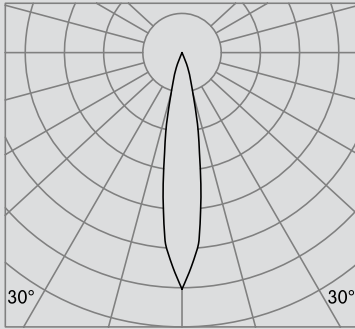
For more info about the placement of the accessories, please consult the schematic on P4



**OPTICAL FLEXIBILITY**

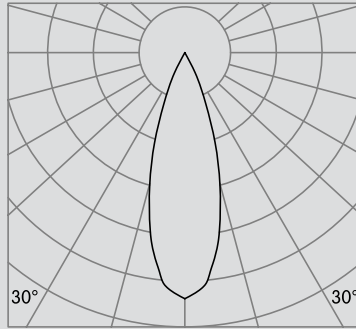
Photometric data: Type C Polar Curves

Narrow Distribution 12°



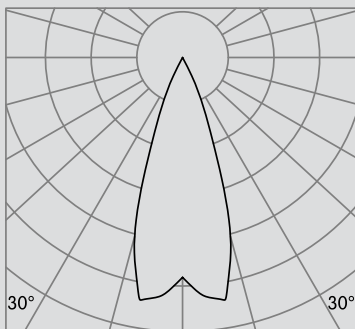
Max. 7,550cd 1,000lm

Medium Distribution 24°



Max. 3,420cd 1,000lm

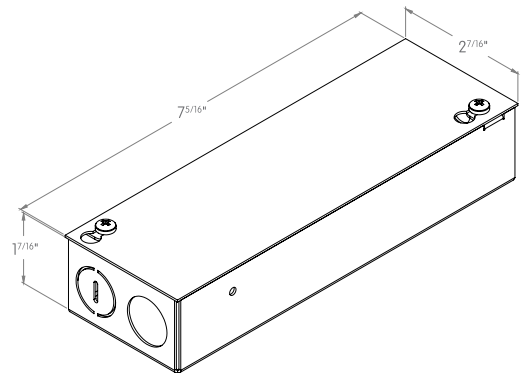
Flood Distribution 36°



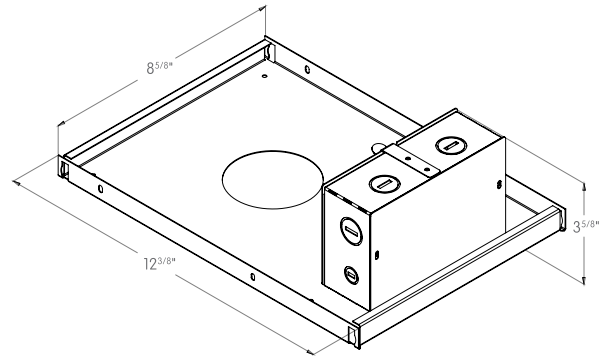
Max. 2,720cd 1,000lm

Notes:  
Other beam distribution available on demand.  
Please consult factory.

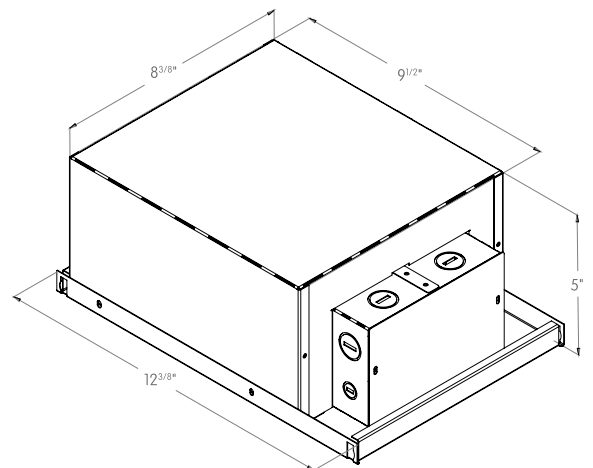
**REMODEL HOUSING**



**NON-IC HOUSING**



**IC HOUSING & AIRTIGHT**



CCC Certified to GB7000




JA8 Certified to Title 24 standards

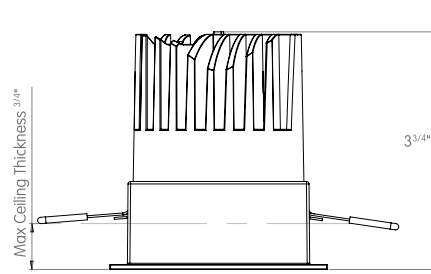
**Bold Lighting**

4710 Ecton Dr., Marietta, GA 30066, USA  
info@boldlighting.us www.boldlighting.us t: +1-678-903-4061

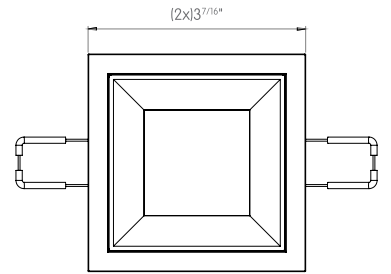
# MOUNTING FLEXIBILITY

## TRIM TORSION SPRINGS

 3x3"




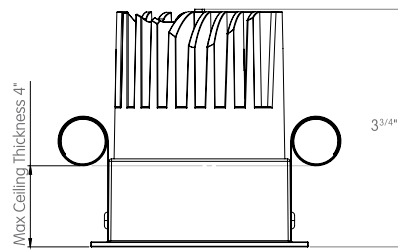
FRONT VIEW



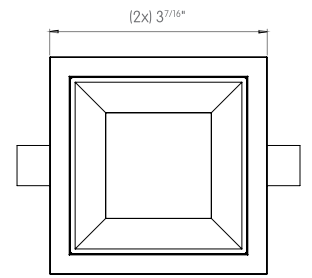
TOP VIEW

## TRIM CONSTANT FORCE SPRINGS

 3x3"




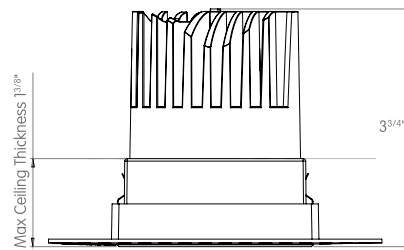
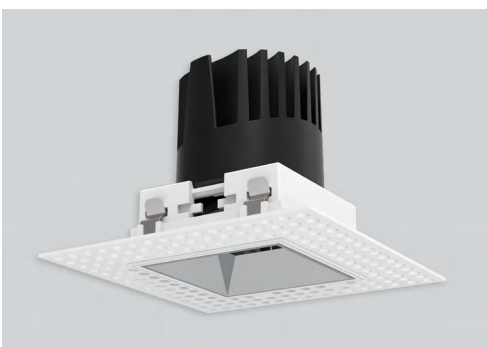
FRONT VIEW



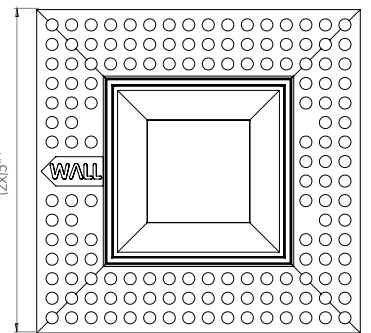
TOP VIEW

## TRIMLESS

 3 1/2" x 3 1/2"




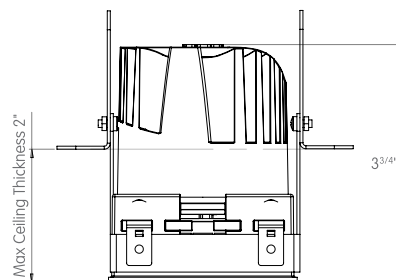
FRONT VIEW



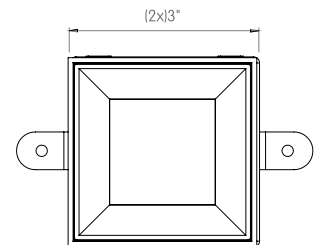
TOP VIEW

## MILLWORK

 3x3"



FRONT VIEW



TOP VIEW



CCC Certified to GB7000

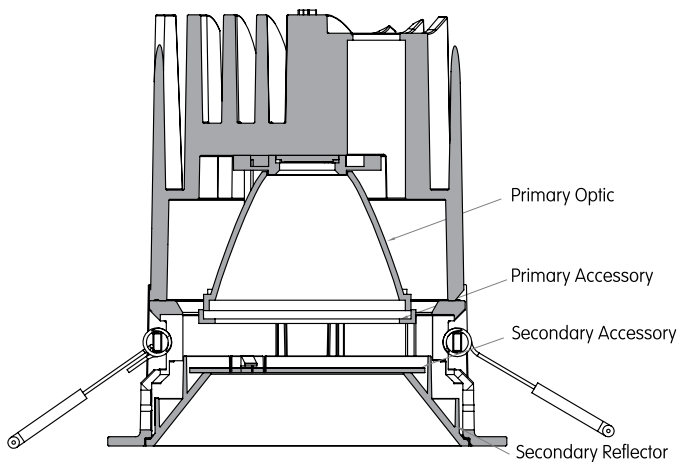


JA8 Certified to Title 24 standards

## DELIVERED LUMEN OUTPUT

Output		Watts				CRI +90					
<b>STATIC-WHITE</b>				<b>2700K</b>		<b>3000K</b>		<b>4000K</b>			
<b>L</b>	9W	600lm		625lm		640lm					
<b>M</b>	11W	7300lm		750lm		765lm					
<b>H</b>	13W	850lm		880lm		890lm					
<b>DIM-TO-WARM 3000K-1800K</b>						<b>3000K</b>					
<b>D</b>	8W			565lm							
<b>W</b>	12W			800lm							
<b>TUNABLE WHITE 2700K-6500K</b>				<b>2700K</b>				<b>6500K</b>			
<b>U</b>	8W	590lm				700lm					
<b>A</b>	12W	850lm				1000lm					
<b>RGBW</b>				<b>R</b>		<b>G</b>		<b>B</b>		<b>W</b>	
<b>L</b>	2W	40lm		200lm		40lm		150lm			
<b>TOTAL</b>	8W										

## ACCESSORIES SCHEMATIC



SECTION A-A



CCC Certified  
to GB7000



JA8 Certified  
to Title 24  
standards